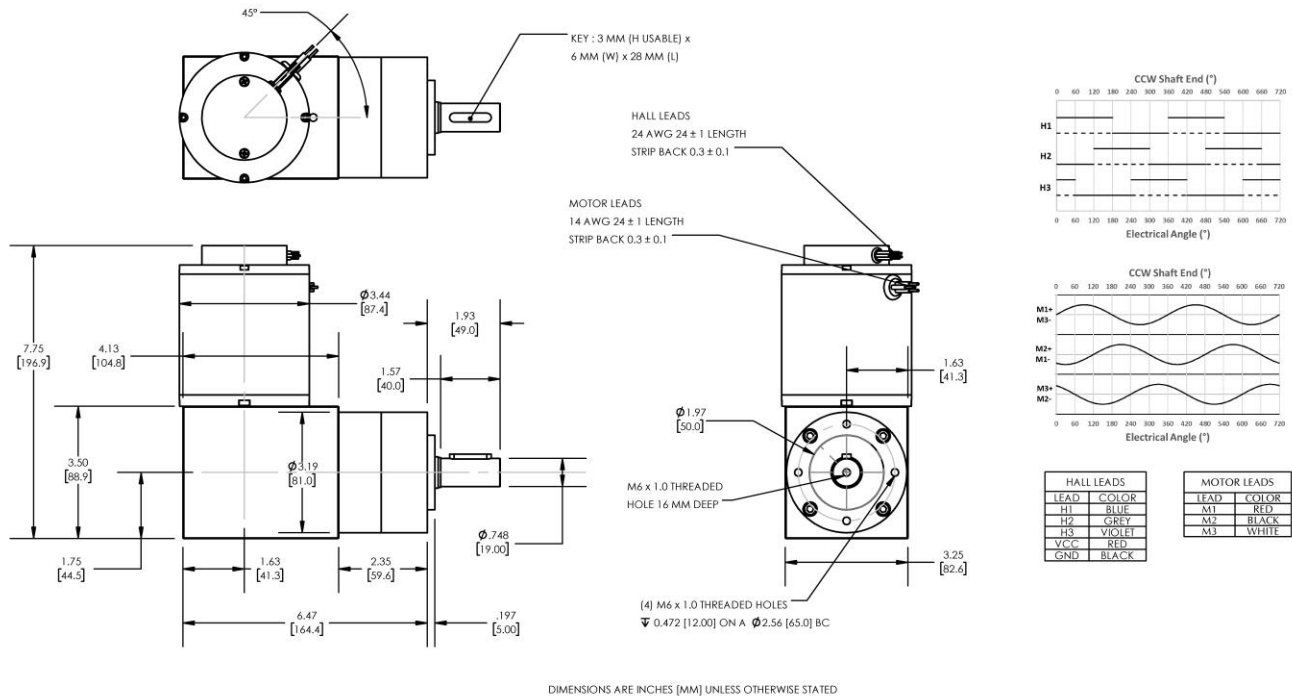


Model Number:

MMP BL86-425H-60V GRA81-04.3



PLANETARY GEARMOTOR OUTPUT PARAMETERS:

	VALUE	UNITS	TOLERANCE
Gearhead Ratio (exact)	4.28 : 1		
Gearhead Shaft Output Speed (at full-load)	805	RPM	MAX
Gearmotor Rated Continuous Torque	26	In-Lbs	MAX
Gearmotor Rated Peak Torque	62++	In-Lbs	----
Gearhead Standard Backlash	30	Arc Minutes	MAX
Gearhead Efficiency	80%	----	----
Output Shaft Radial Load Capacity	90	Lbs	MAX
Output Shaft Axial Load Capacity	18	Lbs	MAX
Gearmotor Total Weight	12	Lbs	MAX

++ All Peak Torque values are dependent upon duty. Contact our sales office for details.

DC MOTOR PERFORMANCE PARAMETERS:

	VALUE	UNITS	TOLERANCE
Rated DC Voltage	60	DC VOLTS	----
Rated Continuous Current	7.9	AMPERES	----
No-Load Speed	4918	RPM	MAX
Rated Speed	3447	RPM	+/- 15%
Rated Continuous Power Out	308	WATTS	+/- 15%
Rated Continuous Torque	121	OZ-IN	----
Peak Torque (motor only)	289	OZ-IN	----
No-Load Current	0.55	AMPERES	MAX
Back EMF Constant (Ke)	12.2	V/KRPM	+/- 10%
Torque Constant (Kt)	16.5	OZ-IN/AMP	+/- 10%
DC Armature Resistance	2.28	OHMS	+/- 15%
Armature Inductance	1.70	mH	+/- 15%
Armature temperature	155	DEG. C	MAX

NOTES:

- ENCODER & BRAKE OPTIONS AVAILABLE – [FOLLOW THIS LINK FOR DETAILS](#)
- NEMA MOUNTING FLANGE OPTION AVAILABLE – [FOLLOW THIS LINK FOR DETAILS](#)

MIDWEST MOTION PRODUCTS, INC

DESIGN, MANUFACTURING & DISTRIBUTION - MOTION CONTROL EQUIPMENT

www.midwestmotion.com

email: sales@midwestmotion.com